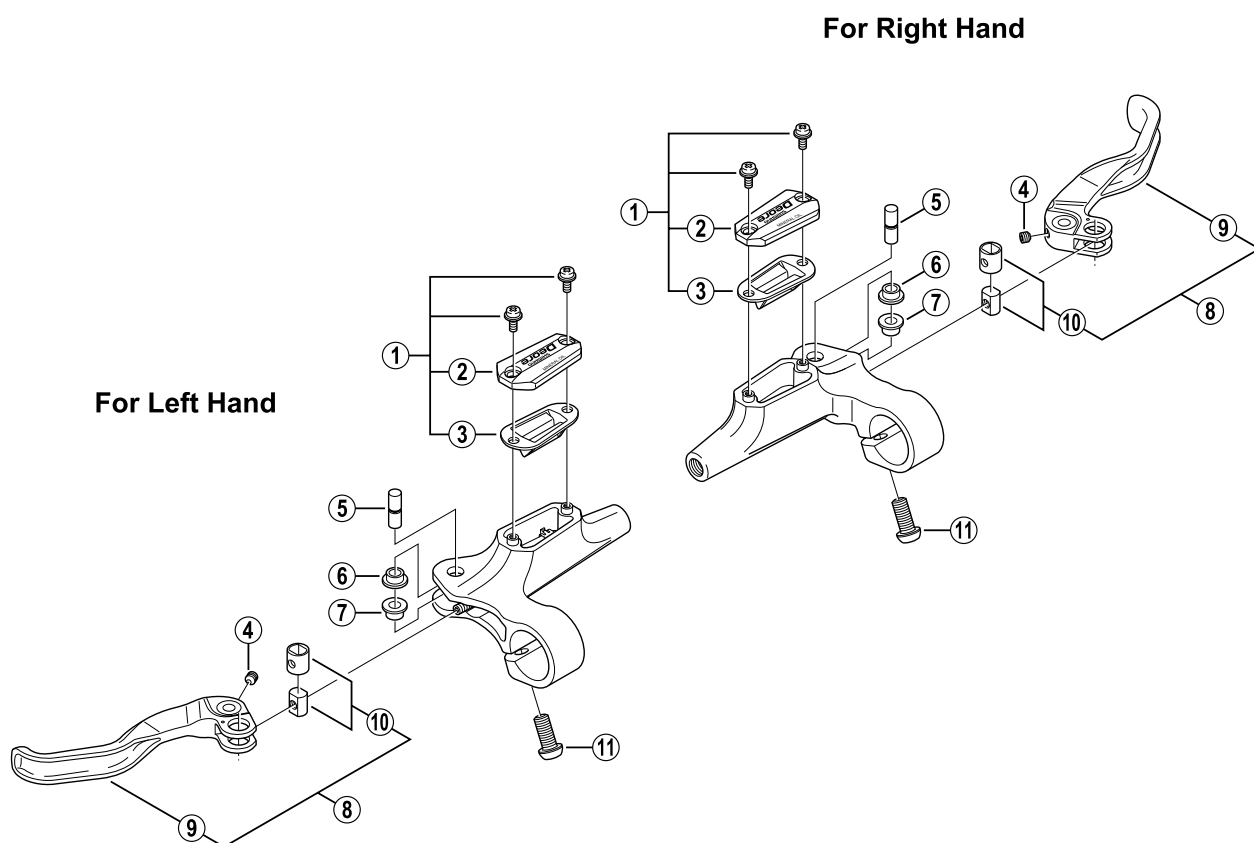


DEORE Brake Lever

BL-M535 For Disc Brake



ITEM NO.	SHIMANO CODE NO.	DESCRIPTION
1	Y-8T2 98010	R.H. Lid Unit
	Y-8T2 98020	L.H. Lid Unit
2	Y-8S4 07070	R.H. Lid
	Y-8S4 07170	L.H. Lid
3	Y-8S1 06000	Diaphragm
4	Y-8SZ 07000	Lever Axle Fixing Bolt
5	Y-8SZ 06000	Lever Axle
6	Y-8SZ 03000	Lever Axle Bush A
7	Y-8SZ 04000	Lever Axle Bush B
8	Y-8T2 98030	Lever Unit
9	Y-8SZ 05600	Lever Member
10	Y-6JK 98070	Reach Adjusting Boss & Sleeve
11	Y-8SB 10000	Clamp Bolt (M6 x 14.8)

0505-2471