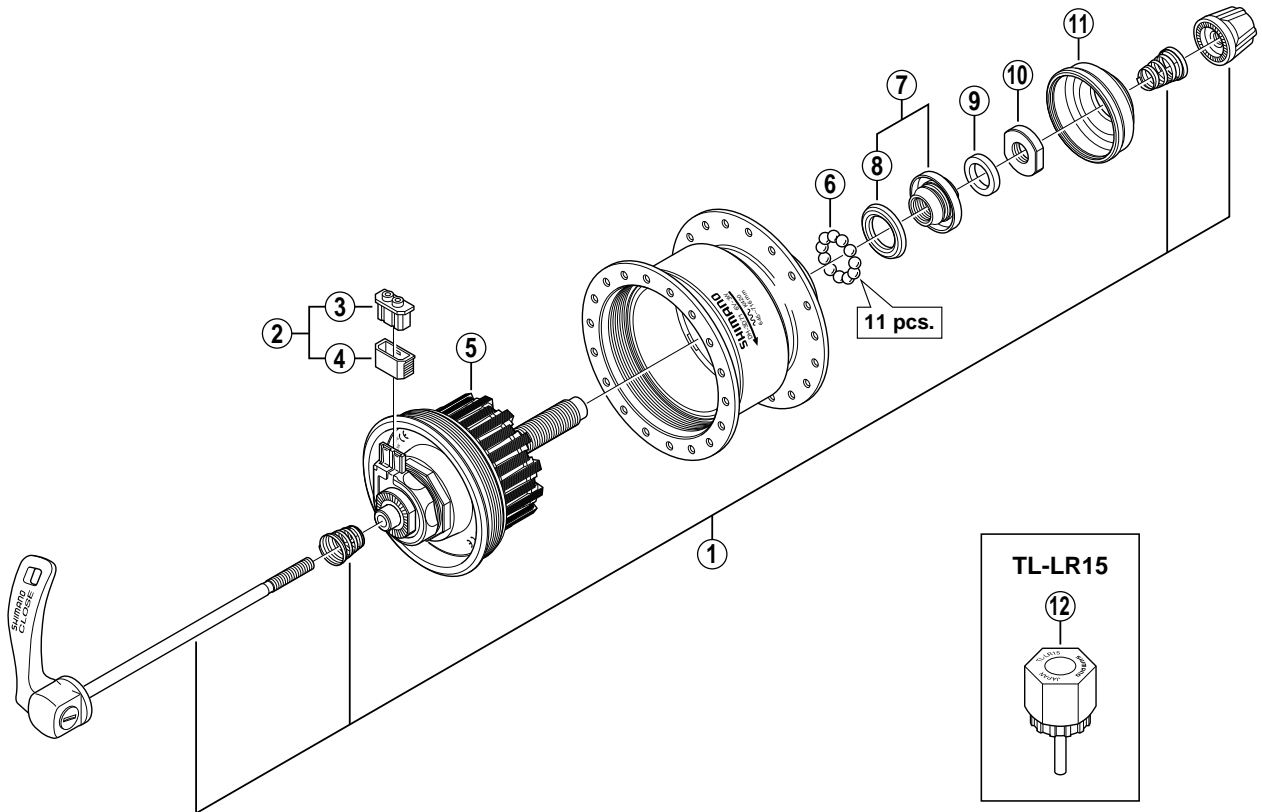


# Hub Dynamo DH-3D71 6V-3W / Disc Brake Compatible



ITEM NO.	SHIMANO CODE NO.	DESCRIPTION
* 1	Y-2ZB 98010	Complete Quick Release 133 mm (5-1/4")
2	Y-2SS 98030	Connector Cap & Cover
3	Y-2SS 20000	Connector Cap
4	Y-2SS 19000	Connector Cover
5	Y-2ZS 98010	Internal Assembly (Axle Length 108 mm)
6	Y-000 91210	Steel Ball (3/16") 20 pcs.
7	Y-20E 98030	Cone (M11 x 12.8 mm) w/Dust Cap & Seal Ring
8	Y-377 10000	Seal Ring
9	Y-20R 02100	Left Hand Spacer (3 mm)
10	Y-3BT 04200	Serrated Lock Nut (M11 x 4 mm)
11	Y-24Z 02000	Rotor Mount Cover
12	Y-120 09230	Lock Ring Removal Tool (TL-LR15)

0609-2418A

Specifications are subject to change without notice.

# SHIMANO