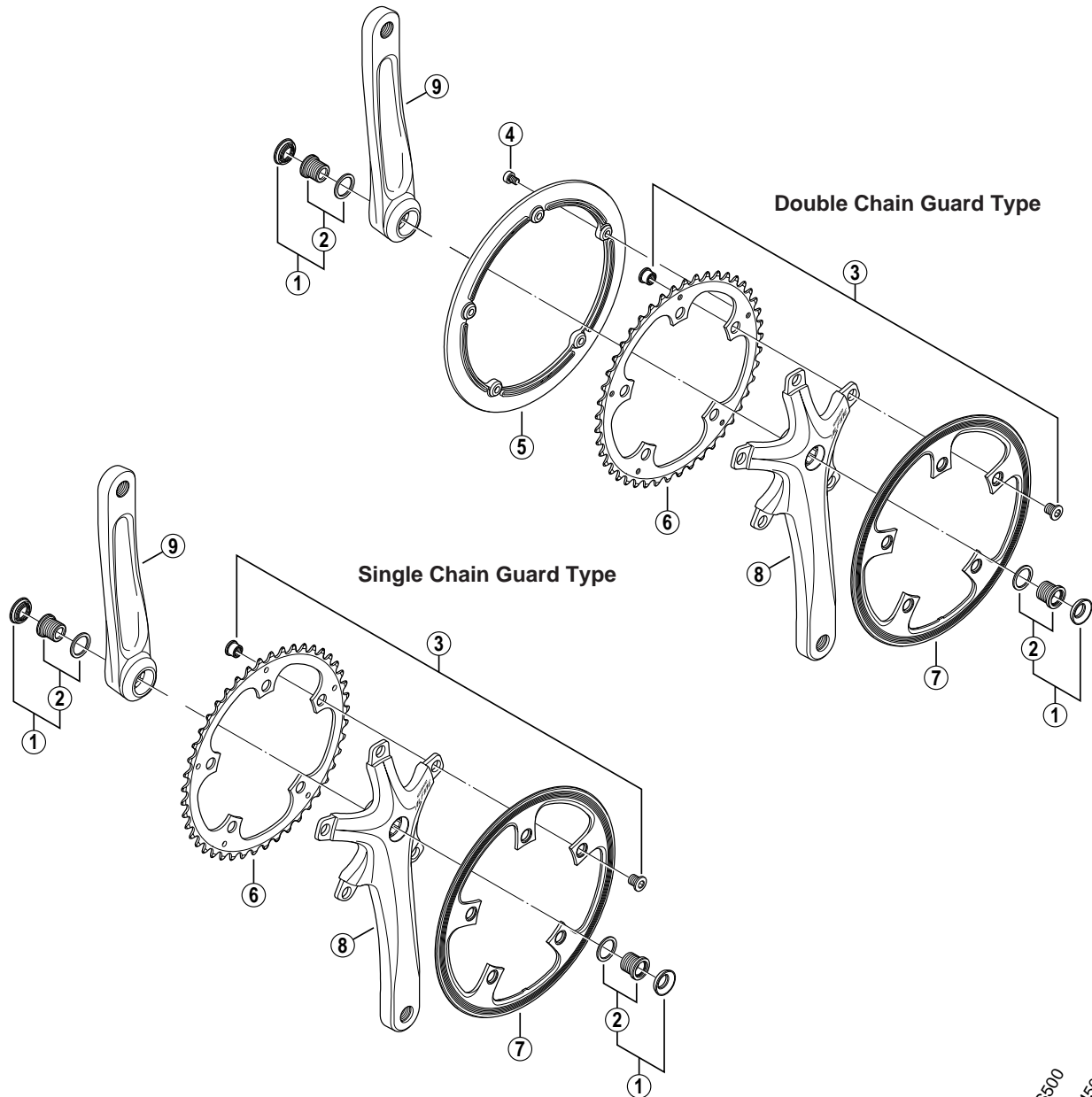


ALFINE Front Chainwheel FC-S400



• Bolt circle diameter: 130 mm

ITEM NO.	SHIMANO CODE NO.	DESCRIPTION	INTERCHANGEABILITY		
			FC-S500	FC-4500	FC-R450
1	Y-1JH 98010	Crank Arm Fixing Bolt Unit		A	
2	Y-1E4 98020	Crank Arm Fixing Bolt & Washer		A	
3	Y-1H6 98090	Gear Fixing Bolt (M8 x 8.5) & Nut (5 sets)		A	
4	Y-1BA98040	Chain Guard Fixing Bolt (5 pcs.)	A	A	
5	Y-1HD64000	Low Guard for 39T			
	Y-1HD63000	Low Guard for 45T			
6	Y-1HD39000	Chainring 39T (Silver)		A	
	Y-1HD45000	Chainring 45T (Silver)		A	
7	Y-1HD62000	Top Guard for 39T		A	
	Y-1HD61000	Top Guard for 45T		A	
8	Y-1JG 05000	Right Hand Crank Arm 170 mm			
9	Y-1JG 05100	Left Hand Crank Arm 170 mm			

A: Same parts.

B: Parts are usable, but differ in materials, appearance, finish, size, etc.

Absence of mark indicates non-interchangeability.

0708-2669

Specifications are subject to change without notice.

SHIMANO