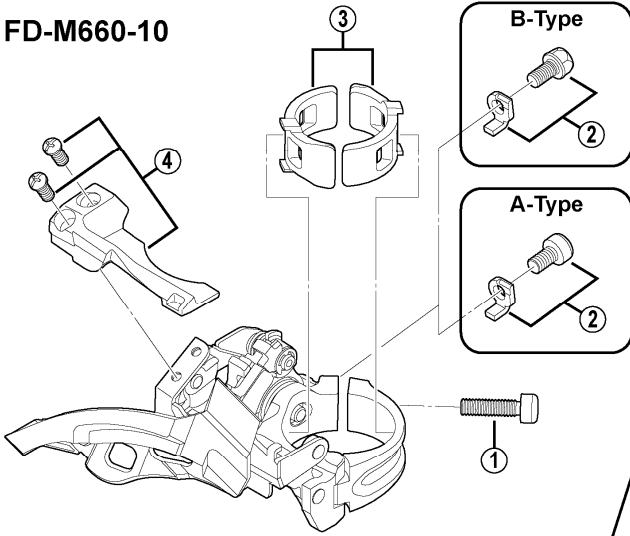


SLX Front Derailleur (10-Speed)

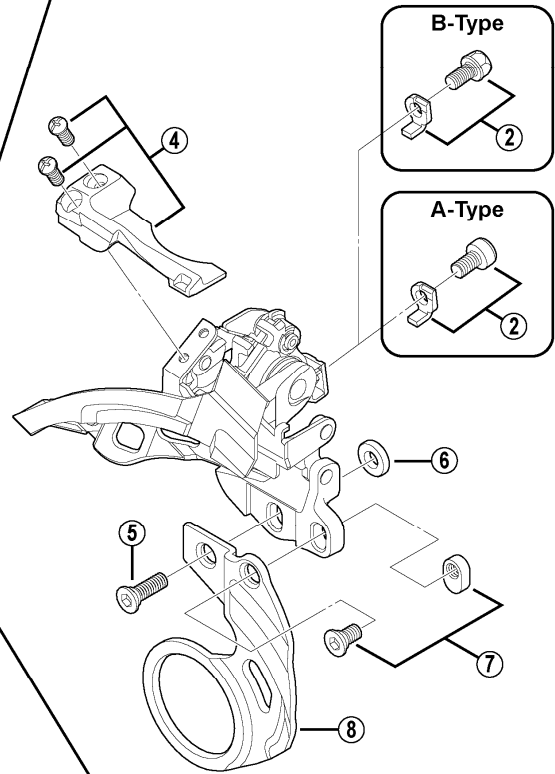
FD-M660-10

FD-M660-10E Bracket Type

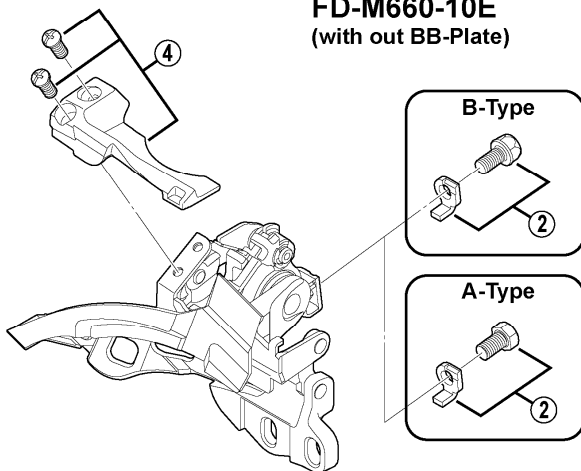
FD-M660-10



FD-M660-10E



FD-M660-10E
(with out BB-Plate)



FD-M770-10

FD-M770-10E

FD-M660 (9-Speed)

ITEM NO.	SHIMANO CODE NO.	DESCRIPTION	INTERCHANGEABILITY		
1	Y5BG07900	Clamp Bolt (M5 x 17.5)			A
*	Y5MC98010	Cable Fixing Plate & Bolt (M5 x 9) B-Type			B
2	Y5KV98010	Cable Fixing Plate & Bolt (M5 x 8.5) A-Type			A
	Y5KV98020	Cable Fixing Plate & Hexagon Head Bolt (9mm) for FD-M660-10E (without BB-Plate) A-Type			
3	Y57Y98030	SM-AD17S Clamp Band Adapters for S-size / ϕ 28.6 mm (1-1/8")	A		A
	Y57Y98040	SM-AD17M Clamp Band Adapters for M-size / ϕ 31.8 mm (1-1/4")	A		A
4	Y5MG98010	Stroke Adjust Screws (M4 x 8.5) & Plate for FD-M660-10	A		
	Y5MD98010	Stroke Adjust Screws (M4 x 8.5) & Plate for FD-M660-10E			
5	Y5CR52200	Bracket Fixing Bolt B		A	
6	Y5HF10000	Spacer(2.5mm) for Shell Width 68mm		A	
7	Y5CR98020	Bracket Fixing Bolt A & Nut		A	
8	Y5EC50500	BB-Plate		A	

A: Same parts.

B: Parts are usable, but differ in materials, appearance, finish, size, etc.

Absence of mark indicates non-interchangeability.

Jun.-2010-3055A

© Shimano Inc. A

Specifications are subject to change without notice.

SHIMANO