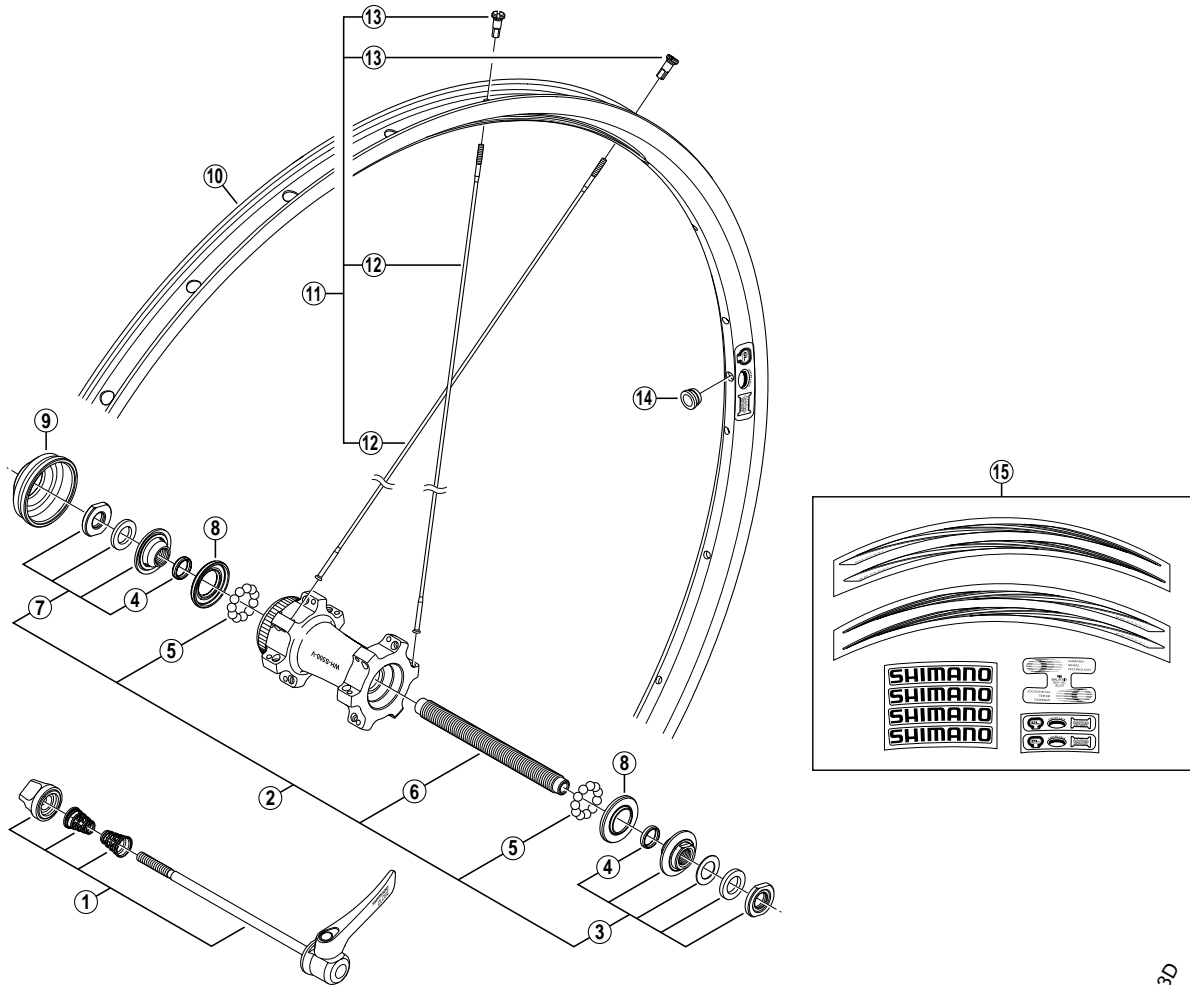


Front Wheel WH-S500-V-F



WH-S500-V-3D
WH-S500-V-8D
HB-M495

ITEM NO.	SHIMANO CODE NO.	DESCRIPTION	INTERCHANGEABILITY
1	Y-2TB 98010	Complete Quick Release 133 mm (5-1/4") / Silver	A
	Y-4D2 98060	Complete Quick Release 133 mm (5-1/4") / Black	A
2	Y-4EM98010	Complete Hub Axle 108 mm (4-1/4")	A
3	Y-2TE 98020	Right Hand Lock Nut Unit	
4	Y-2T8 04000	O-Ring	
5	Y-4BB98030	Steel Ball (3/16") 22 pcs.	
6	Y-25W03000	Hub Axle M10 x 108 mm (4-1/4")	
7	Y-4EM98020	Left Hand Lock Nut Unit	
8	Y-2TA 06000	Seal Ring	
9	Y-25Y 06000	Rotor Mount Cover	A
10	E-WHRIM1MDGCV	Rim {24H / Gray}	A
	E-WHRIM1MDBCV	Rim {24H / Black}	A
11	E-WHSPOKE1NA3	Spoke Unit {Spoke (298 mm x 24 pcs.) / Nipple (24 pcs.)}	
12	Y-012 AE98C	Spoke (298 mm)	
13	Y-012 Y3352	Nipple	A A
14	Y-4BU04000	Valve Stem Adapter	A A
15	Y-4EM98040	Rim Sticker Unit for Gray Rim	A A
	Y-4EM98050	Rim Sticker Unit for Black Rim	A A

A: Same parts.

B: Parts are usable, but differ in materials, appearance, finish, size, etc.

Absence of mark indicates non-interchangeability.

0708-2672A

Specifications are subject to change without notice.

SHIMANO