

General Safety Information

WARNING – To avoid serious injuries:

- Be sure to attach reflectors to the bicycle when riding at night. Do not continue riding the bicycle if the reflectors are dirty or damaged, otherwise it becomes more difficult for oncoming vehicles to see you.
- If you have any questions concerning your pedals, contact a professional dealer.
- Read these Technical Service Instructions carefully, and keep them in a safe place for later reference.

NOTE:

Parts are not guaranteed against natural wear or deterioration resulting from normal use.

SI-40Z0A

SM-PD60

Reflector

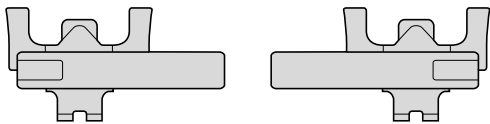
Technical Service Instructions

Note:

- This reflector (SM-PD60) is for use with the PD-M647 pedals only.
- The reflectors for the left and right pedals are different from each other.

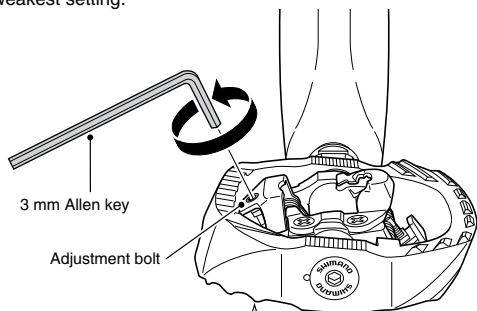
For left

For right

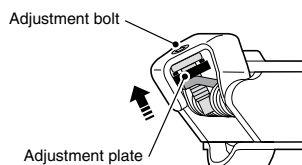


Installation

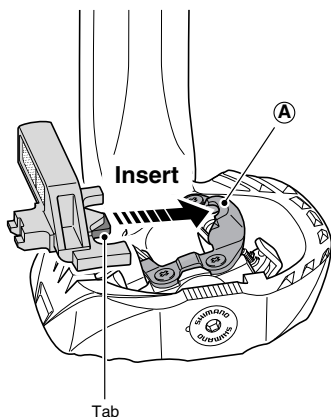
1. Turn the adjustment bolt on the pedal to adjust the spring tension to the weakest setting.



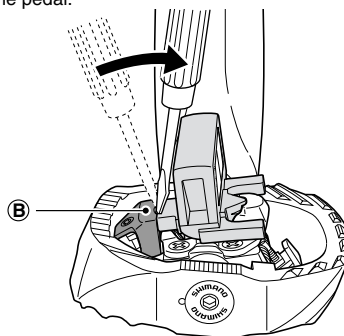
Weakest position



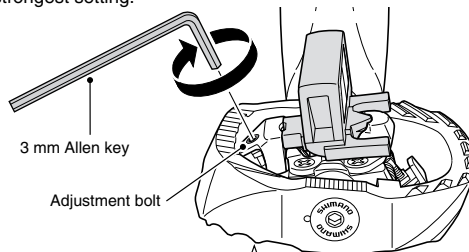
2. Insert the reflector tab at (A) on the pedal.



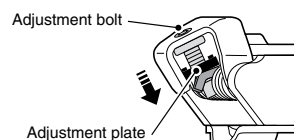
3. Use a blunt instrument to fit the tab on the other end of the reflector in at (B) on the pedal.



4. Turn the adjustment bolt on the pedal to adjust the spring tension to the strongest setting.

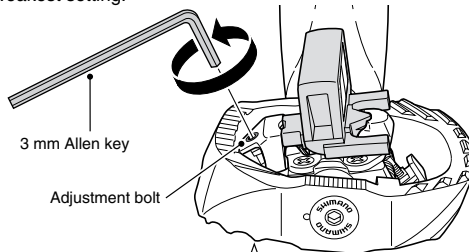


Strongest position

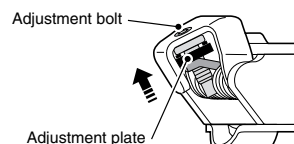


Removal

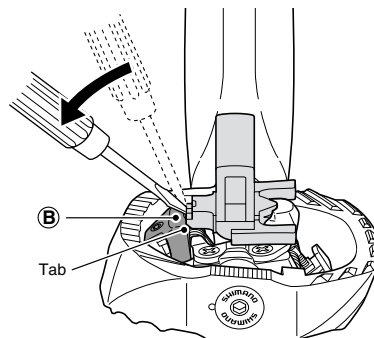
1. Turn the adjustment bolt on the pedal to adjust the spring tension to the weakest setting.



Weakest position



2. Use a blunt instrument to pry the reflector tab out from (B) in the pedal.



These service instructions are printed on recycled paper.

Please note: Specifications are subject to change for improvement without notice. (English)

SHIMANO®

SHIMANO AMERICAN CORPORATION

One Holland, Irvine, California 92618, U.S.A. Phone: +1-949-951-5003

SHIMANO EUROPE HOLDING B.V.

Industrieweg 24, 8071 CT Nunspeet, The Netherlands Phone: +31-341-272222

SHIMANO INC.

3-77 Oimatsu-cho, Sakai, Osaka 590-8577, Japan